

尺寸：210X297MM

Smart Splicing and Adjustable Curtain Motor Track User Manual

Specifications

Rated Voltage:	Working temp:	Rated Power:	Rated torque:	Overtime protection:	Protection grade:	Insulation class:	Remote:	Frequency Band:	Maximum Radio Transmit Power:	RoHS Standard (RoHS)
AC90~240V 50/60Hz	-5°C~45°C	18W	1.8N·m	4min	IP41	E	433.92Mhz	2.400-2.4835GHz	<+20dBm	2011/65/EU, (EU) 2015/683

- Bitte scannen Sie den QR-Code, um das deutsche Handbuch, das Installationsvideo und die Funktionseinführung zu erhalten
- Escanee el código QR para obtener el manual en español, el video de instalación y la introducción de la función
- Veuillez scanner le code QR pour obtenir le manuel en français, la vidéo d'installation et l'introduction des fonctions
- Отсканируйте QR-код, чтобы получить руководство на русском языке, видео по установке и описание функций
- Scansionare il codice QR per ottenere il manuale in italiano, il video di installazione e la guida alle funzionalità. Video di installazione e funzionalità
- Leia o código QR para obter o manual em português, o vídeo de instalação e a introdução das funções
- Zeskanuj kod QR, aby uzyskać instrukcje, filmy instalacyjne i funkcje
- QR 코드를 스캔하면 한국어 설명서, 설치 동영상, 기능 가이드를 볼 수 있습니다
- من فضلك قم بمسح رمز الاستجابة السريعة (QR-code)، للحصول على دليل المستخدم باللغة العربية وفيديو التثبيت ووصف الوظائف



请扫描二维码获取中文的说明书、安装视频及功能介绍

WC-PJ-DH09

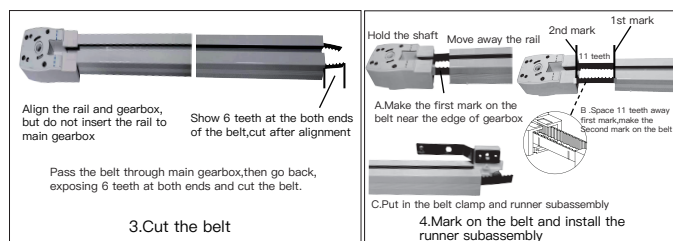
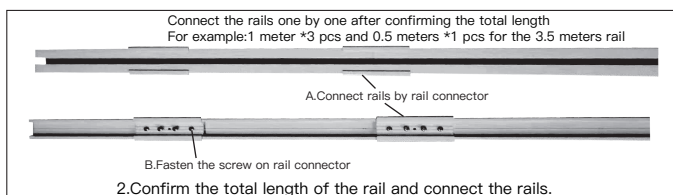
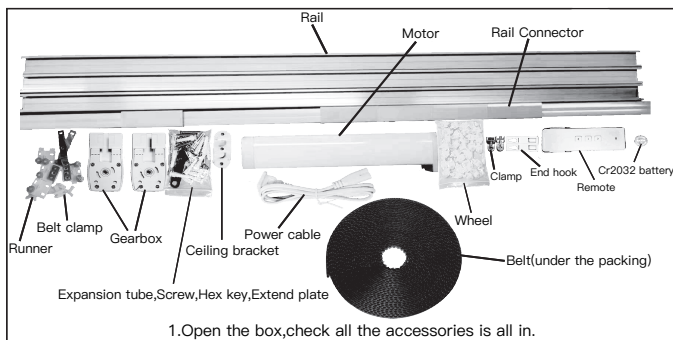
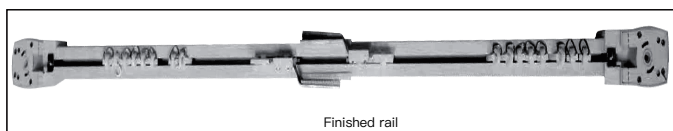
Product description

Curtain splicing track is a track system that splices two or more tracks together, and is often used for hanging long or wide curtains. By splicing the tracks, the curtain tracks can be extended to the entire length of the window, achieving full coverage and shading effect of the curtains.

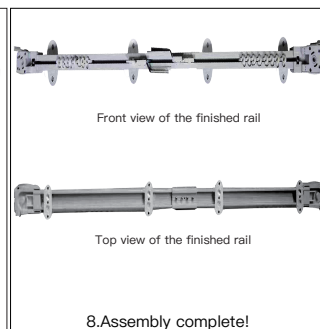
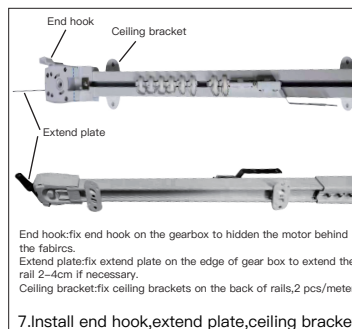
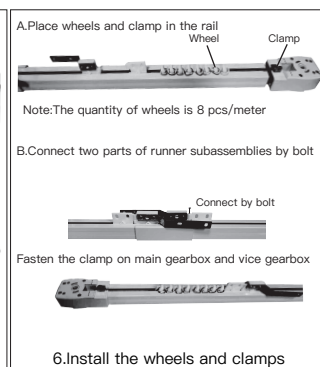
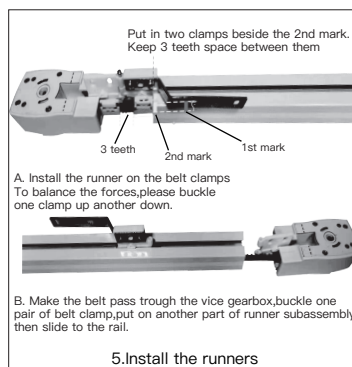
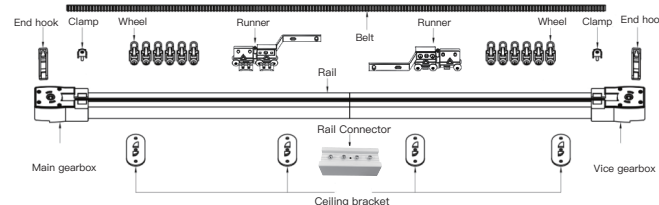
Safety Information

Do not disassemble, reassemble, modify, or attempt to repair the product by yourself. Such products may cause electric shock, which may cause serious injury or death.

Rail assembling



Rail exploded view



Installation video

For specific installation steps, you can scan the code and refer to the video



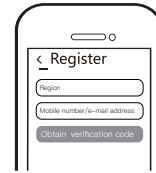
1. Preparation for use

- Download MOES App on App store or scan the QR code.



MOES App is upgraded as much more compatibility than Tuya Smart/ Smart Life App, functional well for scene controlled by Siri, widget and scene recommendations as the fully new customized service.
(Note: Tuya Smart/Smart Life App still works, but MOES App is highly recommended)

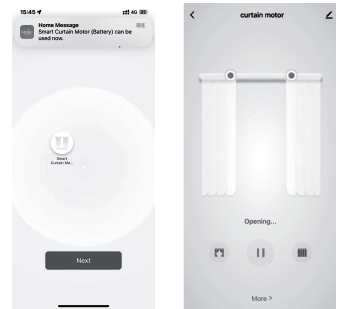
2. Registration or Log in.



- Download "MOES" Application.
- Enter the Register/Login interface; tap "Register" to create an account by entering your phone number to get verification code and "Set password". Choose "Log in" if you already have a MOES account.

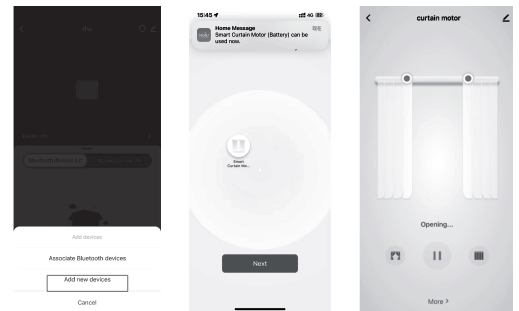
Steps for connecting the APP to the device (only WIFI)

- Make sure your phone is connected to Wi-Fi and Bluetooth.
- Quickly tap the setting button 3 times to indicate the light flashes, and the motor enters the network access state.
- Open the MOES App, click the "+" in the upper right corner, enter "Add Device", the device will appear in "discovering devices", click "Add".
- Enter Wi-Fi Password and click "Next", waiting for completing the connection. Add the device successfully, you can edit the name of the device to enter the device page by click "Done". Enjoy your smart life with home automation.



Steps for connecting the APP to the device (only ZIGBEE)

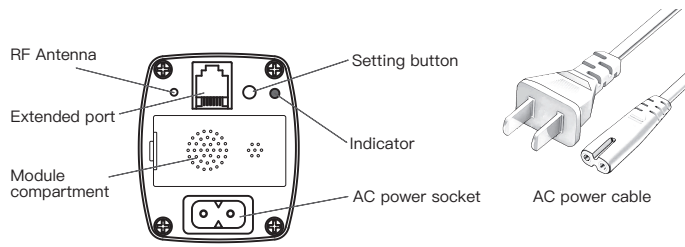
- Make sure your MOES APP has successfully connected to a Zigbee gateway.
- Quickly tap the setting button 3 times to indicate the light flashes, and the motor enters the network access state.
- On the interface of intelligent gateway, click "Add sub device".
- The motor matches network successfully. The green light stops flashing and start long flash for 2s, the motor jogs, you finish adding a device, click "Done".
- Click "Done" to enter the device page to enjoy your smart life with home automation.



Settings

Setting State	<p>Long press the setting button for 3 seconds</p> <p>Release the button when the indicator is bright</p> <p>Done</p>	<p>The setting state goes out within 10 seconds if there is no other operation!</p>
Learn Code	<p>The motor is in the setting state</p> <p>Press the up button on the remote</p> <p>The indicator flashes 3 times then goes out, Done</p>	
Reverse Settings	<p>The motor is in the setting state</p> <p>Press the setting button once</p> <p>The indicator flashes 3 times then goes out, Done</p> <p>Press the down button on the remote which has been learned</p> <p>The indicator flashes 3 times then goes out, Done</p>	<p>It is effective only when the remote in use has been learned!</p> <p>The working direction of all the control will be reversed after setting!</p>
Soft start	<p>The motor is in the setting state</p> <p>Press the middle button on the remote which has been learned</p> <p>The indicator flashes 3 times then goes out, Done</p>	<p>It is effective only when the remote in use has been learned!</p> <p>Repeat to enable the function</p>
Reset(Clear Code)	<p>The motor is in the setting state</p> <p>Long press the setting button for 3 seconds</p> <p>The indicator flashes 3 times then goes out, Done</p>	

Power wiring



Note:

1. Make sure the connection between power cable and socket is tight;
2. Select a plug style that is suitable for your country

Troubleshooting guide

If the curtain motor does not work normally:

- ❶ Confirm whether the power is connected right or tightly.
- ❷ Confirm the curtain assembly is flexible without stuck.
- ❸ If the curtain motor is suddenly powered off during operation, please pull the curtain in the opposite direction to ensure that the curtain can be used in the case of sudden power off.

SERVICE

Thank you for your trust and support to our products, we will provide you with a two-year worry-free after-sales service (freight is not included), please do not alter this warranty service card, to safeguard your legitimate rights and interests. If you need service or have any questions, please consult the distributor or contact us. Product quality problems occur within 24 months from the date of receipt, please prepare the product and the packaging, applying for after-sales maintenance in the site or store where you purchase; If the product is damaged due to personal reasons, a certain amount of maintenance fee shall be charged for repair.

We have the right to refuse to provide warranty service if:

1. Products with damaged appearance, missing LOGO or beyond the service term.
2. Products that are disassembled, injured, privately repaired, modified or have missing parts.
3. The circuit is burned or the data cable or power interface is damaged.
4. Products damaged by foreign matter intrusion .

(including but not limited to various forms of fluid, sand, dust, soot, etc.)

RECYCLING INFORMATION

All products marked with the symbol for separate collection of waste electrical and electronic equipment (WEEE Directive 2012/19 / EU) must be disposed of separately from unsorted municipal waste. To protect your health and the environment, this equipment must be disposed of at designated collection points for electrical and electronic equipment designated by the government or local authorities. Correct disposal and recycling will help prevent potential negative consequences for the environment and human health. To find out where these collection points are and how they work, contact the installer or your local authority.



WARRANTY CARD

Product Information

Product Name _____
 Product Type _____
 Purchase date _____
 Warranty Period _____
Dealer Information
 Customer's Name _____
 Customer Phone _____
 Customer Address _____

Maintenance Records

Failure date	Cause Of Issue	Fault Content	Principal

Declaration of conformity

Hereby, WENZHOU NOVA NEW ENERGY CO.,LTD declares that the radio equipment type WC-PJ is in compliance with Directive 2014/53/EU, 2014/35/EU, 2014/30/EU, 2011/65/EU. The full text of the EU declaration of conformity is available at the following internet address: <https://www.moestech.com/blogs/news/wc-pj>

Subscribe here

Thank you for your support and purchase at we Moes, we are always here for your complete satisfaction, just feel free to share your great shopping experience with us.



If you have any other need, please do not hesitate to contact us first, we will try to meet your demand.

FOLLOW US

- @moessmart
- @moes_smart
- MOES.Official
- @moes_smart
- @moes_smart
- www.moes.net

E-CrossStu-GmbH
 Mainzer Landstr. 69 ,60329 Frankfurt am Main
 Email: E-crossstu@web.de
 Tel: +4969332967674
 Made in China

EVATOST CONSULTING LTD
 Address: Suite 11, First Floor, Moy Road Business Centre, Taffs Well, Cardiff, Wales, CF15 7QR
 Tel: +442921680945
 Email: contact@evatmaster.com

Manufacturer:
 WENZHOU NOVA NEW ENERGY CO.,LTD
 Address: Power Science and Technology Innovation Center, NO.238, Wei 11 Road, Yueqing Economic Development Zone, Yueqing, Zhejiang, China
 Tel: +86-577-57186815
 After-sale Service: service@moeshouse.com